



Pig Valve

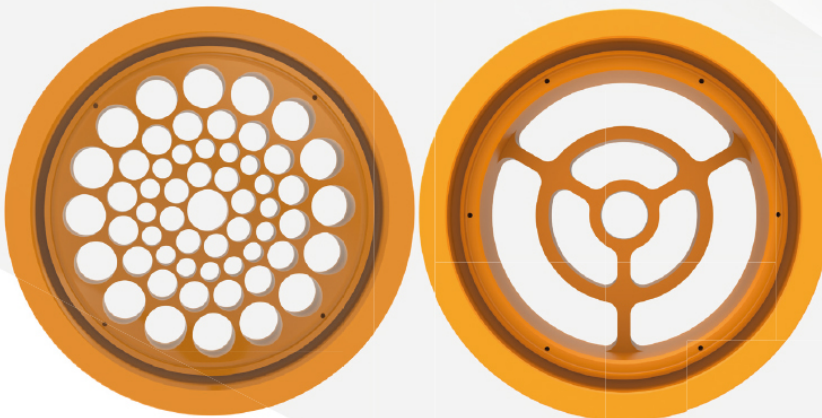
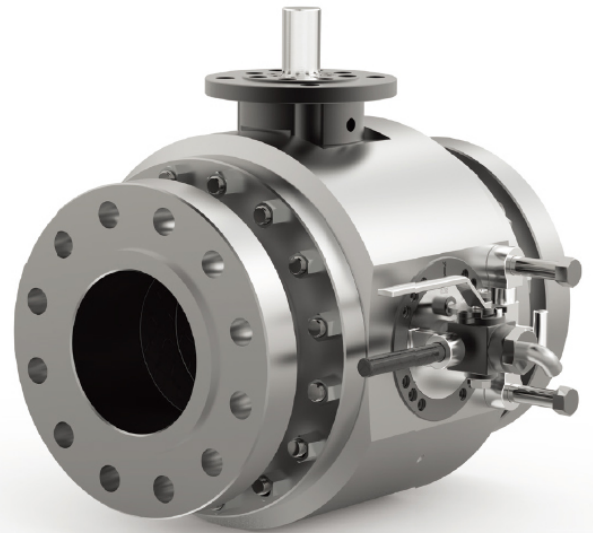
With Patent Pending EZ Loader Technology

www.chaodausa.com | 832-939-9944 | 10633 W Airport Blvd, Ste 200 | Stafford, TX 77477

PIG VALVE

EZ Loader Technology

A completely revolutionary valve with patent pending technology that improves the accessibility to the central components for easy maintenance and repair. Our pig valve comes with several customization options to fit your required needs. No scaffolding required, as the hatch provides quick access to the torso for no hassle loading without the worry of crushed fingers. This system requires full cavity pressure relief before the latch can be freed while avoiding traditional threaded cap technology that can get balky and rusted under field conditions.

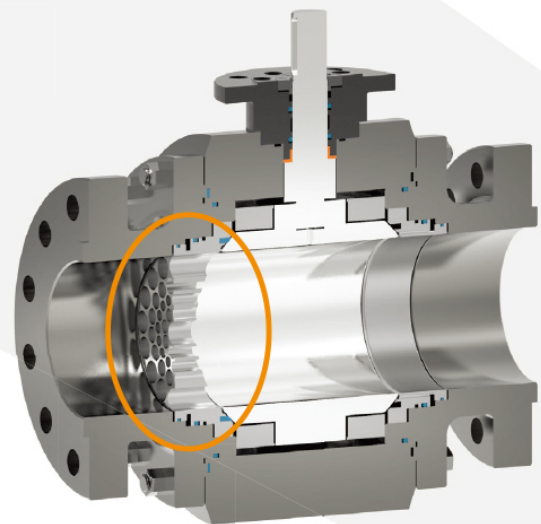


Gas Service
Catcher Plate

Liquid Service
Catcher Plate

Reversible Catcher Plate allows for retrofitting of the valves from a Receiver to a launcher or vice versa. Multiple seating options - including metal seated - as well as Catcher Plate flow patterns allow for the greatest flexibility in application specific designs available in the industry.

Heavy duty Catcher Plates are constructed for longevity. The ability to vary the flow pattern through the Plate allows for optimal performance in a variety of services including liquids and solids containing streams.



The Patent Pending **EZ Loader** system utilizes a side entry system of safety latches for ease of entry in the safest possible manner.

Size range:* 4" to 18"
Pressure: Class* 150 to 600
Materials:* A105, A182 LF2 etc.

Specifications: ASME B16.34, API 6D, ASME B16.5, ASME B16.10* and NACE MR-01-75.

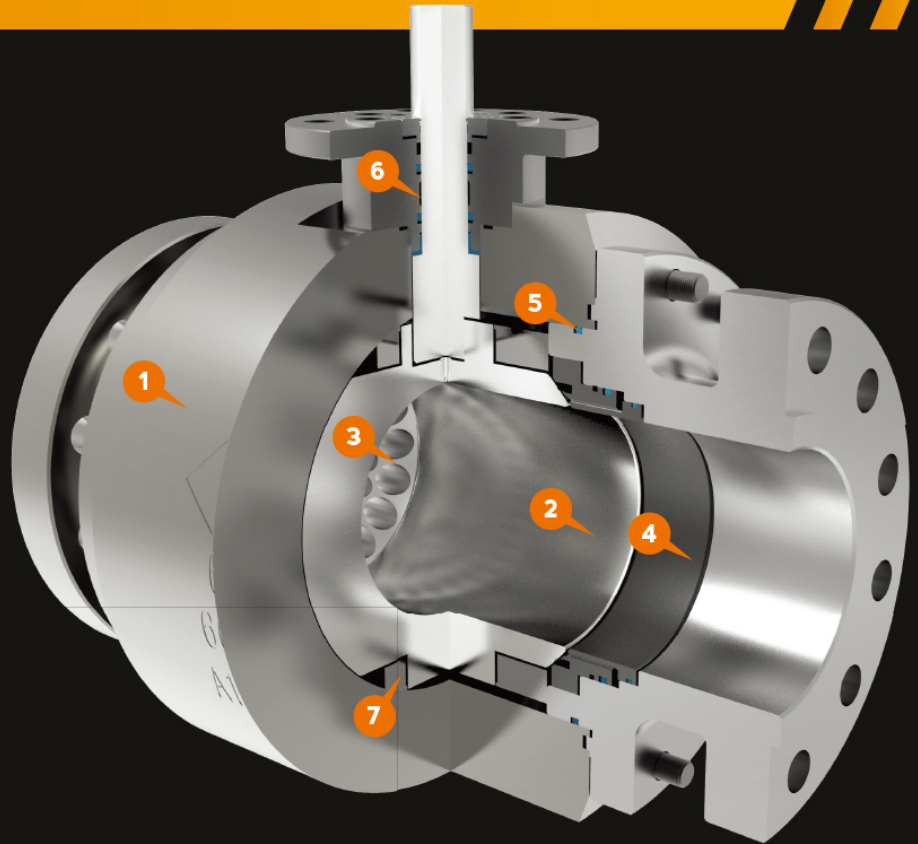
*Consult with our sales department for additional information.

TAKE A LOOK INSIDE

1. Forged Body - Provides structural integrity.

2. Ball - Maximized sealing surface for reliable isolation.

3. Catcher Plate - Prevents overtravel of Pig and contains it in the bore of Ball.



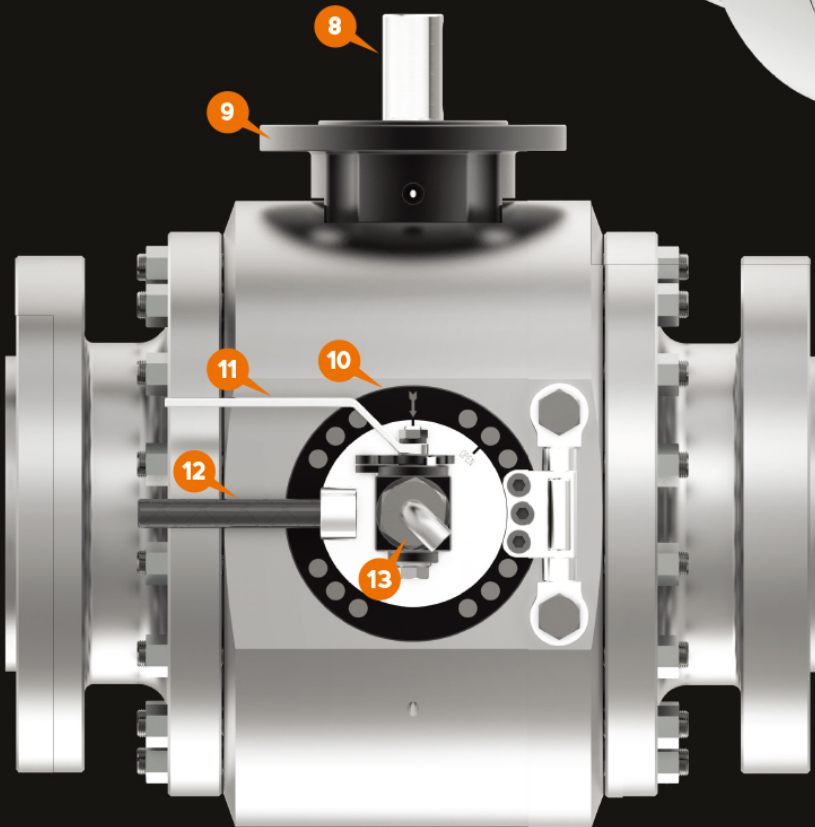
4. Seat - Provides a perfect seal.

5. Body Seal - Prevents leakage to atmosphere. Variety of materials available to suit application.

6. Stem Seal - Protects against leakage to atmosphere.

7. Trunnion Bearing - Helps ensure consistent operating torque.

8. Stem - High strength for maximum safety.



9. ISO Mounting Bracket - Standardizes Gear and Actuator mounting.

10. EZ Loader Closure - Patent pending loading system allowing side access and ultimate in safety.

11. Safety Valve - Prevents opening of Closure without proper cavity and Ball bore pressure relief.

12. EZ Loader Handle - Allows release of EZ Loader lock once cavity pressure is relieved allowing access.

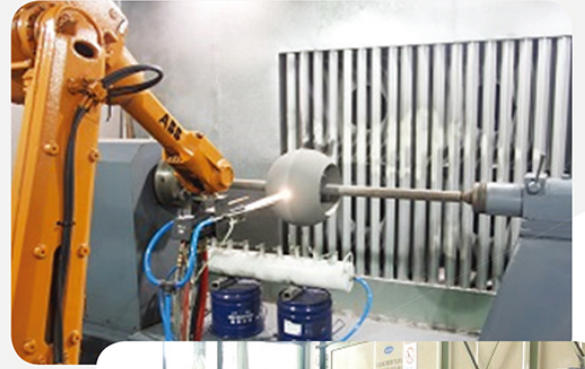
13. Ball Bore and Cavity Relief - Allows pressure contained in Ball bore to be relieved in order for Closure to be opened.

CHAODA'S BALL VALVES FOR MIDSTREAM

The Chaoda Group is proud to be able to offer a complete line of Ball Valves for every combination of conditions encountered in the Midstream. The addition of the EZ Loader Pig Valve rounds out this complete line that includes Soft Seated and Metal Seated Floating and Trunnion Ball Valves. Let Chaoda be your One Stop Shop for all of your Ball Valve needs.

We are a fully integrated manufacturer owning all of the processes required to produce the very best Ball Valves. From the design to the foundry to the machining and hard coating processing to the assembly and test, we own it and control it. This streamlined, tightly controlled system generates highly consistent product tailored to your needs at a cost that won't break the budget.

Since 1984, The Chaoda Group has been committed to producing high quality valves for industry at a competitive price. Consistency in ownership has kept this strategy on track and maintained a philosophy of ongoing investment in Research and Development as well as manufacturing efficiencies all aimed at staying ahead of the competition. The result is ultimate blend of high quality Ball Valves that you can afford to buy!



MATERIAL OPTIONS

Chaoda offers our Ball Valves in a variety of material options ensuring optimal performance in virtually any operating environment.



PART NAME	BILL OF MATERIALS
Body/End Connection	Forged or Cast Carbons; Stainless Steels; Duplex
Ball	A182 F6a; 316 SS; Duplex Alloys; Inconel™ and other Nickel Alloys
Seat	A182 F6a; 316 SS; Duplex Alloys; Inconel™ and other Nickel Alloys; Stellite™, Devlon and PEEK
Body Seal	HNBR, Viton, Aflas, Kalrez, and others
Seat Seal	HNBR, Viton, Aflas, Kalrez, Graphite, and others
Stem	A182 F6a; 316 SS; 17-4 PH SS; Inconel™ X750; Inconel™ 718
Stem Seal	HNBR, Viton, Aflas, Kalrez, Graphite, and others
Packing Gland	A182 F6a; 304 SS; 316 SS



CHAODA VALVE GROUP CO., LTD.
 Jiangbei Street, Oubei
 Yongjia, Zhejiang
 China
www.chinavalve.com

CHAODA GROUP USA CO., LTD.
 10633 W Airport Blvd, Ste 200
 Stafford, TX 77477
 T: (832) 939-9944
 F: (832) 939-9942
www.chaodausa.com